

CATALOG



Bafang motor



Electric Motorcycle



Carbon frame & alloy frame



Battery & Controller



HMI(Display)



Parts & charger



Electric wheelchair handcycle



Bafang M Series Motor



M820 MM G532.250.C



M620 MM G510.750/1000.C



M600 MM G521.500.C



M510 MM G522.250.C



M420 MM G332.250.C



M410 MM G333.250.C



M200 MM G210.250.C



M615 MM G320.750/1000.C



M315 MM G340.500.C

M820

Are you looking for a light motor for your eMTB? Our M820 is the answer.

With only 2.3kg, it convinces in all points with 250W rated power and strong 75Nm (max effective torque) for a maximum extended cadence support of 120 rpm. Thanks to its perfectly tuned torque sensor, it can control the exact power according to the pedaling force.



Designed for eRoad/eGravel and eMTB bikes.



G532



Hot selling

Bafang M820 motor kits Packing list including :

1. 36v/ 43V/48V 250W Mid-Drive Motor: 1 pc
2. DPC-245 bluetooth display 3.0 version can connect bafang Go+app (standard) : 1 pc
3. motor cover : 1 pcs
4. main cable(1T3/1T2/1T1): 1 pc
5. Speed Detecting Sensor + Magnet: 1 pc
6. 32/34/36/38T Chain wheel: 1 pc
7. Left Crank + Right Crank: each 1 pc
8. BASH GUARD : 1 pcs

649usd/pcs

M560

Power Your Adventure!

Boost your ride with the Bafang M560 Mid Motor. Pairing a seamlessly integrated design with leading performance, the M560 elevates any eCargo, eFat, or eMTB build. Highlighted by a whopping 140Nm of torque and weighing just 3.3kg, the M560 does not compromise when it comes to heavy loads, rough terrain, and everything in between.



eMTB



eCargo



eFat

Designed for eMTB, eCargo and eFat bikes.

RATED POWER **750 w**

MAX TORQUE **140 Nm**

WEIGHT **3.3 kg**

With a max torque of 140Nm and 750W rated power output.



Bafang New Product

Bafang M560 motor kits Packing list including :

1. 36v/48v/43V 750w Mid-Drive Motor: 1 pc
2. DPC-245 bluetooth display 3.0 version can connect bafang Go+app (standard) : 1 pc
3. motor cover(AC M02 or AC M03): 1 pcs
4. brake levers: 1 pcs
5. main cable(1T3/1T4): 1 pc
6. Speed Detecting Sensor + Magnet: 1 pc
7. 32/34/36/38T Chain wheel: 1 pc
8. Left Crank + Right Crank: each 1 pc
9. thumb throttle: 1pcs
10. BASH GUARD(BG G520A or BG G520B): 1 pcs

680usd/pcs

M560

Power Your Adventure!

Boost your ride with the Bafang M560 Mid Motor. Pairing a seamlessly integrated design with leading performance, the M560 elevates any eCargo, eFat, or eMTB build. Highlighted by a whopping 140Nm of torque and weighing just 3.3kg, the M560 does not compromise when it comes to heavy loads, rough terrain, and everything in between.



eMTB



eCargo



eFat

Designed for eMTB, eCargo and eFat bikes.

RATED POWER 750 w

MAX TORQUE 140 Nm

WEIGHT 3.3 kg

With a max torque of 140Nm and 750W rated power output.



Bafang New Product



Bafang M560 motor kits Packing list including :

1. 36v/48v/43V 500W/750w Mid-Drive Motor: 1 pc
2. DPC-245 bluetooth display 3.0 version can connect bafang Go+app (standard) : 1 pc
3. motor cover(AC M02 or AC M03): 1 pcs
4. brake levers: 1 pcs
5. main cable(1T3/1T4): 1 pc
6. Speed Detecting Sensor + Magnet: 1 pc
7. 32/34/36/38T Chain wheel: 1 pc
8. Left Crank + Right Crank: each 1 pc
9. thumb throttle: 1pcs
10. BASH GUARD(BG G520A or BG G520B): 1 pcs

660usd/pcs

M510

M510 is an overturning upgrade of the eMTB performance motor. Comparing with the last generation, the max torque of M510 remains 95Nm, but the weight is reduced by 18% while the max power output is increased by 20%. Max cadence support is extended up to 120RPM.



eMTB

Designed for eMTB bikes.



With a maximum torque of 95Nm and 250W rated power output.

G522



Hot selling

Bafang M510 motor kits Packing list including :

1. 36v/48v/43V 250W Mid-Drive Motor: 1 pc
2. DPC-245 bluetooth display 3.0 version can connect bafang Go+app (standard) : 1 pc
3. motor cover(AC M02 or AC M04): 1 pcs
4. BASH GUARD(BG G520A or BG G520B): 1 pcs
5. main cable(1T3/1T2/1T1): 1 pc
6. Speed Detecting Sensor + Magnet: 1 pc
7. 32/34/36/38T Chain wheel: 1 pc
8. Left Crank + Right Crank: each 1 pc

585usd/pcs

M620

Bafang's powerhouse! With a maximum torque of 160Nm and 750W or even 1000W rated power output, the M620 is predestined for eCargo bikes and eFat bikes as it will definitely get the heaviest loads accelerated on even the steepest incline. Due to the system's dual sensor design, the rider has full control at all times and enjoys extremely sensitive responsiveness. In use with logistics companies across the globe.



Designed for eFat and eCargo bikes with heavy loads.



G510



48V 1000W Motor With Frame



bafangG510 M620 1000w mid motor UART/Canbus kit :

1x Motor: 48v/52V 1000W Mid Motor (Integrates Controller)

1x DPC-18 Display

1x 40/44T Chain Wheel

1x installation accessories

1x main cable (1T4 cable&front light cable&rear light cable&battery cable)

2x Crank

1xThumb throttle

2x Brake levers

1xspeed sensor cable with magnet

All the required nuts, bolts & cables Anderson

650usd/pcs

M600

Would you like a little more? The M600 motor – 500 watts rated power, 120Nm max. torque, just 3.9kg – always delivers top performance and is the first choice for modern eMTBs. With its triple sensor system (1 torque, 2 speed sensors) it reacts with lightning speed to your pedal-power input and delivers impressive support at all times.



Designed for eCargo bikes and high performance eMTB bikes.



With a maximum torque of 120Nm and 500W rated power output.

G521



bafang G521M600 500w mid motor kits Packing list :

1. 43V/48v 500W Mid-Drive Motor: 1 pc
2. DPC-245 bluetooth display 3.0 version can connect bafang Go+app (standard) : 1 pc
3. motor cover(AC M02 or AC M04): 1 pcs
4. Thumb Throttle: 1 pc
5. Waterproof Quick Release Wires(EB-Bus waterproof cable): 1 pc
6. Speed Detecting Sensor + Magnet: 1 pc
7. 32/34/36/38/40T Chain wheel: 1 pc
8. Left Crank + Right Crank: each 1 pc
9. BASH GUARD(BG G520A or BG G520B): 1 pcs
10. Brake levers: 1 pcs

635usd/pcs

M410

eMTBs can rely on the powerful and efficient M410 mid motor. With 250W dependable power and 80Nm torque, it offers strong support where needed.



Designed for eMTB and eCargo bikes.



With a maximum torque of 80Nm and 250W rated power output.

G333



bafang M410 250w mid motor kits Packing list :

- 1. 43V/48v 250W Mid-Drive Motor: 1 pc*
- 2.DPC-245 bluetooth display 3.0 version can connect bafang Go+app (standard) : 1 pc*
- 3. motor cover: 1 pcs*
- 4.BASH GUARD: 1 pcs*
- 5. Waterproof Quick Release Wires(EB-Bus waterproof cable): 1 pc*
- 6. Speed Detecting Sensor + Magnet: 1 pc*
- 7.Chain wheel: 1 pc*
- 8. Left Crank + Right Crank: each 1 pc*

425usd/pcs

M200

Smooth, silent and very economic: The compact M200 mid-motor shines with an overwhelming cost-performance ratio. Weighing just 3.2kg at 250W rated power output and 65Nm of max. torque, it is perfectly suited to entry-level eCity bikes.



Designed for entry-level eCity bikes and eTour bikes.



G210



bafang M410 250w mid motor kits Packing list :

1. 43V/48v 250W Mid-Drive Motor: 1 pc
2. DPC-245/DPE181/DPC 010 Bluetooth/DPC18/DZ41/DPC240 Display + Operation Button: 1 pc
3. motor cover: 1 pcs
4. BASH GUARD: 1 pcs
5. Waterproof Quick Release Wires(EB-Bus waterproof cable): 1 pc
6. Speed Detecting Sensor + Magnet: 1 pc
7. Chain wheel: 1 pc
8. Left Crank + Right Crank: each 1 pc
9. battery connect cable: 1 pcs

398usd/pcs

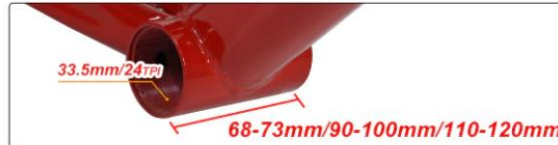
BaFang M315/M215

Bafang BBS01B/02B/ HD Mid Motor Kits

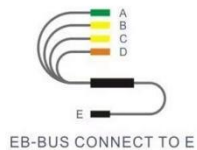
Does this motor fit my bike?

Bottom Bracket Option:

| | | | |
|-------|---------------|-------|--------------|
| BB68 | Fit 68-73mm | BB100 | Fit 90-100mm |
| BB120 | Fit 110-120mm | | |



- Pin A Male Green 5 Pins Display(G5.2)
- Pin B Female Yellow 3 Pins Left Brake
- Pin C Female Yellow 3 Pins Right Brake
- Pin D Male Yellow 3 Pins Throttle
- Pin E Male B Pins (CONNECT TO EB-BUS)



| BAFANG BBS01B/BBS02B | | | | | |
|----------------------|------|------|------|------|------|
| | Type | 44T | 46T | 48T | 52T |
| | Size | 7.1" | 7.5" | 7.8" | 8.5" |



BBSHD Chain Wheel Size

| BBSHD | 42T (Φ7 ") | 44T (Φ7.2 ") |
|-------|--------------|--------------|
| | 46T (Φ7.5 ") | |

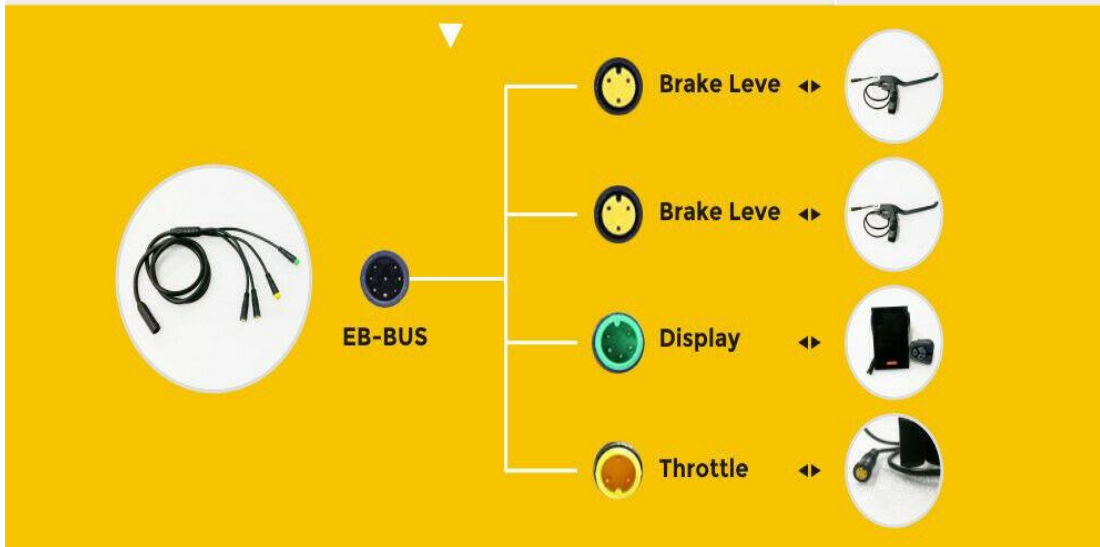


Hot selling



bafang BBS01B/02B 36v/48v 250W-750w mid motor kits packing list include:

1. 36V/48V 250W-750w Mid-Drive Motor(68mm): 1 pc
2. C961/C965 /SW102 Display : 1 pc
3. Brake Levers: 2 pcs
4. Thumb Throttle: 1 pc
5. Waterproof Quick Release Wires(EB-Bus waterproof cable): 1 pc
6. Speed Detecting Sensor + Magnet: 1 pc
7. 44T/46T/48T/52T Chain wheel + Chain Cover: 1 pc
8. Left Crank + Right Crank: each 1 pc
9. Fixing Plate: 1 pc
10. M5*10 Nuts: 5 pcs
11. M6*12 Nuts: 2 pcs
12. M33 Nuts: 2 pcs
13. ST 3.9 Nuts: 5 pcs



319-349usd/pcs

M615

Super strong and efficient, this mid-drive system with a rated power of 750 or 1000W and a max. torque of 160Nm is an ideal upgrade for vehicles such as eSpeed and eCargo bikes. Compatible with frames with 68-120 mm bottom bracket width.



eCargo

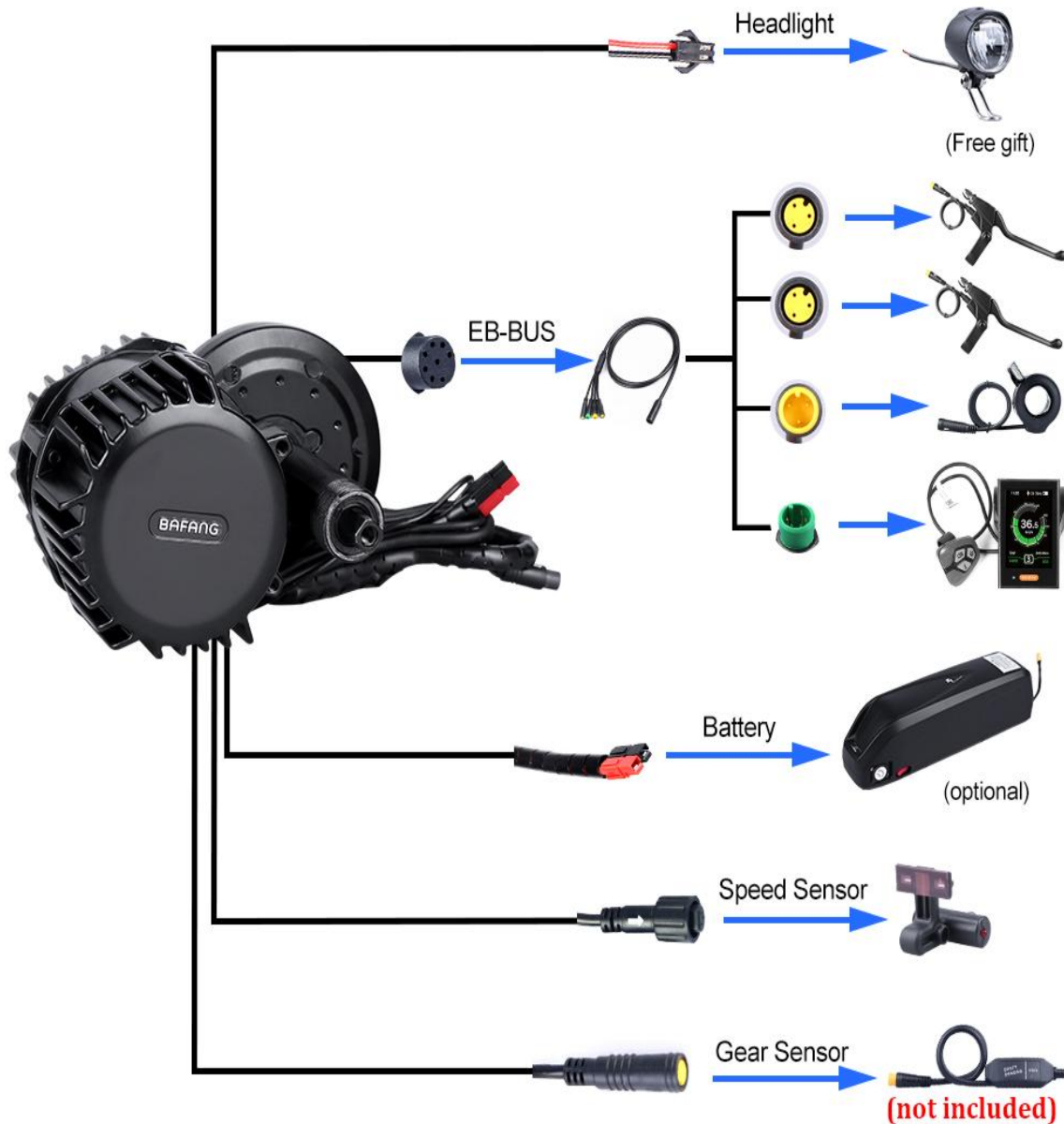
Designed for upgrading standard cargo bikes to convenient eCargo and for cost-effective eSpeed bikes.



M615



WIRING DIAGRAM



Hot selling

bafang BBSHD/BBS03B 48V/52V 1000Wmid motor

packing list include:

1. 48V 1000W Mid-Drive

Motor(68mm/100mm/120mm): 1 pc

2. C961/C965/ SW102 Display + Operation Button: 1 pc

3. Brake Levers: 2 pcs

4. Thumb Throttle: 1 pc

5. Waterproof Quick Release Wires(EB-Bus waterproof cable): 1 pc

6. Speed Detecting Sensor + Magnet: 1 pc

7. 40T/42T/44T/46T Chain wheel : 1 pc

8. Left Crank + Right Crank: each 1 pc

9. Fixing Plate: 1 pc

10. M5*10 Nuts: 5 pcs

11. M6*12 Nuts: 2 pcs

12. M33 Nuts: 2 pcs

13. ST 3.9 Nuts: 5 pcs

565usd/pcs

Battery

Dengfu E10/E22/E23/E14 frame matched battery case or battery 48v17.5ah with 3A charger



370usd/pcs

***Dengfu E55/E55 frame matched battery case
or battery 48/52v 20ah with 3A charger***



***Markhor & bafang BTF25/BTF311
48v 17.5ah battery with 3A charger***



380usd/pcs

**Bafang BTF03 43v 10.5ah or
BTF04 43v 14ah 2A charger**

399usd/pcs

489usd/pcs



Bafang BTF014 43v 410wh with 2A charger

279usd/pcs

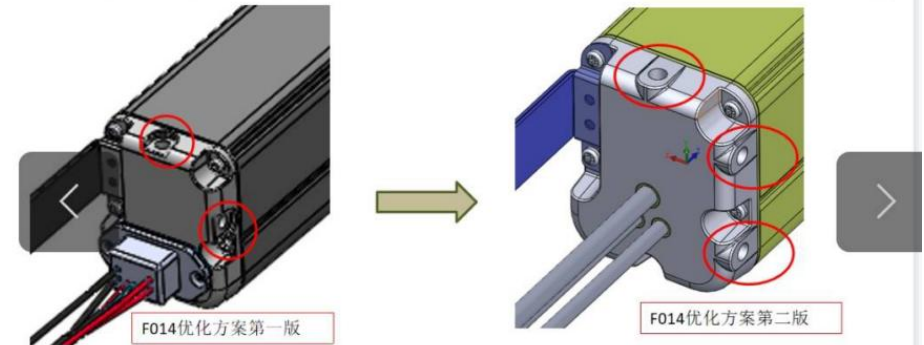
Battery BT F014.410.C fit for 43v motor



Battery BT F100.B360.C fit for 36V motor



2. F014优化方案更新说明02



- 1: 与车管安装定位孔，竖方向仍是一个M5*15，横方向从一个M5*15变更为两个M5*15，并以中心对称。
- 2: 车管定位孔，从凹槽变更为凸台，安装平面能使车管锁附更牢固。
- 3: 电池系统尺寸：63*52*472（单位：mm；不含线束和提手），没有变更。



Bafang BTF100 36v 360wh with 2A charger

259usd/pcs

BAFANG E-MOBILITY SALES & SERVICE TOOL

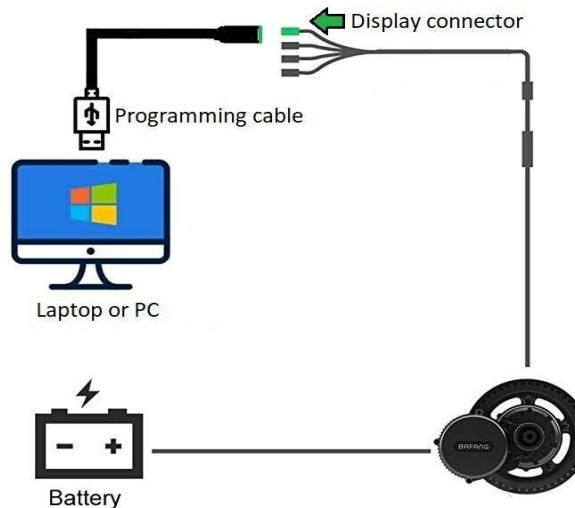


One solution for all bikes equipped with BAFANG systems

The complete e-drive system including motor, display, sensor and control unit, as well as Bafang battery data, can be accessed. The tool helps in diagnosis and detecting errors. It is required for software updates to keep your Bafang e-drive system work smoothly and reliably over time.

Besst-account:296682573@qq.com.
password:fieldBesst

100usd/pcs



Programs the controller using the same harness cable as the display. Simply disconnect the display, plug the programming cable into the available male connector, then plug the other end into a spare USB port on your laptop or PC.

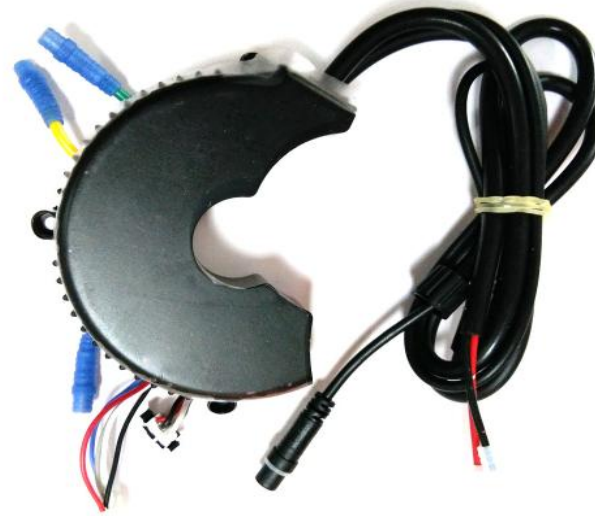
8usd/pcs

Controller

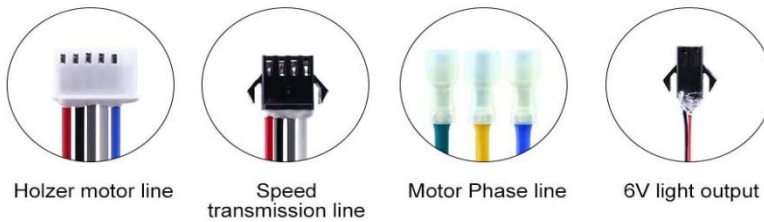
Bafang BBS01B/BBS02B/BBSHD controller



Introduction of Controller Head



48V/52V 1000W Controller



BBS Motor Controller

Bafang BBS01B/BBS02B 36v/48V 250w-750w controller



46-65usd/pcs

BBSHD Motor Controller

Bafang BBS03B/BBHD 48V 1000w controller



85usd/pcs



75usd/pcs



75usd/pcs

Bafang G510 UART or Can version Controller

bafang M510/M600/M560 controller



89usd/pcs

Bafang M600/M620/M400 torque sensor

HMI/Display



DPC244/DPC245 BT

75usd/pcs



DPC240/DPC241 BT

65usd/pcs



KD586(BT)

49usd/pcs



DPC180/DPC181 BT

35usd/pcs



**DZ41 Can version or
UART version**

25usd/pcs



**B04 Can version or
UART version**

60usd/pcs



**B03 Can version or
UART version**

45usd/pcs



**DPC181 Can version or
UART version**

70usd/pcs



P860C UART version

60usd/pcs



SW102 UART version

39usd/pcs



500C UART version

45usd/pcs



500C-H UART version

55usd/pcs



750C UART version

69usd/pcs



800S/C965 UART version

35usd/pcs



850C UART version

55usd/pcs



860C UART version

60usd/pcs



C961 UART version

35usd/pcs



DM05 UART version

45usd/pcs



DPC18 UART version

70usd/pcs

DP C270/271.CAN



DPC270/271 UART version

75usd/pcs



DP C262/263.CAN

79usd/pcs



DP C010.C/CB

85usd/pcs



DP C230/231.CAN

49usd/pcs



DP E160/161.CAN

30usd/pcs

Parts



Shift Sensor



12usd/pcs

| Model | Installation |
|----------|----------------------------------|
| MS-BK-1F | <p>MS-BK-1F Brake Sensor</p> |
| MS-BK-1R | <p>MS-BK-1R Brake Sensor</p> |

Mechanical Brake Sensor

12usd/pcs



5usd/pcs

Tool



10usd/pcs

BBS Motor 1T4 Cable



10usd/pcs

Hydraulic Brake Sensor



7usd/pcs

Throttle



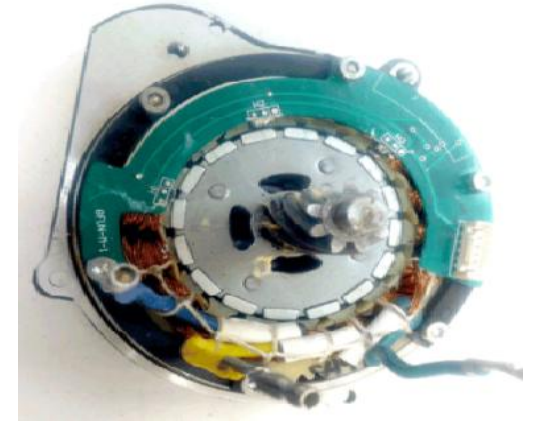
12usd/pcs

BBS motor Mounting Screws



8usd/pcs

cranks



90usd/pcs

BBS motor Movement components

| BAFANG BBS01B/BBS02B | | | | | |
|----------------------|------|------|------|------|------|
| | Type | 44T | 46T | 48T | 52T |
| | Size | 7.1" | 7.5" | 7.8" | 8.5" |



BBS 44/46/48/52T chainwheel

10usd/pcs



brake levers

8usd/pcs



BBS 42T chainwheel

25usd/pcs



BBSHD 42T chainwheel

25usd/pcs



25usd/pcs

Bafang M510/M500/M610/M410 frame adapter



25usd/pcs

bafang M820 frame adapter



25usd/pcs

Bafang M620 frame adapter

E-BIKE

**M500
M600
Disassembly
Tool**

Genuine Parts
M500 M600 BBS
Disassembly Tool

BF-Disassembly Tool

Tool

12usd/pcs



M600 Gear

80usd/pcs

Model A



Model B



Bush Guard and motor cover

15usd/pcs



Bafang M620 /G510 3rd steel gear (new version)

BafangM620 3rd steel gear

75usd/pcs



M500/M600 tool

8usd/pcs



BafangM510/M560/M600

32/34/36/38/40T cahianwheel

20usd/pcs



Bafang m510/M560/M600

152/160/170mm cranks

10usd/pcs



BafangM510/M560/M600

32/34/36/38/40T cahianwheel

10usd/pcs



**M500 M600 chain stabilizer
special anti-chain dropout**

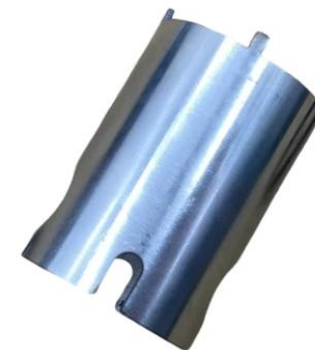
**device
8usd/pcs**



BafangM510/M560/M600

32/34/36/38/40T cahianwheel

18usd/pcs





M510/M560 Tool

10usd/pcs

charger

| ST Model | STC-8137LD 48V2A | STC-8205LD 48V3A | STC-8206LD 48V4A |
|------------------------------|--|---|---|
| |  |  |  |
| Dimension | 180*66*37 mm | 195*80*46 mm | 205*80*50 mm |
| Weight | 425g | 650g | 950g |
| Cooling Style | Fanless | Fanless | Fanless |
| Temperature Rise | $\Delta T = 33^\circ$ | $\Delta T = 33^\circ$ | $\Delta T = 36^\circ$ |
| Output | 2A max 54.6 \pm 0.2V | 3A max 54.6 \pm 0.2V | 4A max 54.6 \pm 0.2V |
| Input | 100-240V 50-60 Hz | 220-240V 50-60 Hz | 100-240V 50-60 Hz |
| Output Power | 90 W | 180 W | 270 W |
| Switch Off Current | 170 \pm 70 mA | 250 \pm 100 mA | 300 \pm 100 mA |
| Efficiency | > 91% | > 91% | > 91% |
| Compatible Norms | EN 61000 IEC 60664 IEC 60335 EN 55014 | EN 61000 IEC 60664 IEC 60335 EN 55014 | EN 61000 IEC 60664 IEC 60335 EN 55014 |
| Dielectric Strength | 3.75KV | 3.75KV | 3.75KV |
| Ingress Protection | IP54 | IP54 | IP54 |
| Operation Temperature | 0 to 40° | 0 to 40° | 0 to 40° |
| Storage Temperature | - 40 to 55° | - 40 to 55° | - 40 to 55° |
| Operation Humidity | 20% - 85% | 20% - 85% | 20% - 85% |
| Storage Humidity | 10% - 95% | 10% - 95% | 10% - 95% |

30usd/pcs 40usd/pcs 45usd/pcs

| ST Model | STC-8127LC 36V2A | STC-8150LC 36V4A | STC-8253LC 36V6A |
|------------------------------|---|---|---|
| |  |  |  |
| Dimension | 127*66*37 mm | 180*75*40 mm | 205*80*50 mm |
| Weight | 375g | 650g | 950g |
| Cooling Style | Fanless | Fanless | Fanless |
| Temperature Rise | $\Delta T = 33^{\circ}$ | $\Delta T = 33^{\circ}$ | $\Delta T = 36^{\circ}$ |
| Output | 2A max 42 \pm 0.2V | 4A max 42 \pm 0.2V | 6A max 42 \pm 0.2V |
| Input | 220-240V 50-60 Hz | 220-240V 50-60 Hz | 220-240V 50-60 Hz |
| Output Power | 90 W | 180 W | 270 W |
| Switch Off Current | 170 \pm 70 mA | 250 \pm 100 mA | 300 \pm 100 mA |
| Efficiency | > 91% | > 92% | > 93% |
| Compatible Norms | EN 61000 IEC 60664 IEC 60335 EN 55014 | EN 61000 IEC 60664 IEC 60335 EN 55014 | EN 61000 IEC 60664 IEC 60335 EN 55014 |
| Dielectric Strength | 3.75KV | 3.75KV | 3.75KV |
| Ingress Protection | IP54 | IP54 | IP54 |
| Operation Temperature | 0 to 40 $^{\circ}$ | 0 to 40 $^{\circ}$ | 0 to 40 $^{\circ}$ |
| Storage Temperature | - 40 to 55 $^{\circ}$ | - 40 to 55 $^{\circ}$ | - 40 to 55 $^{\circ}$ |
| Operation Humidity | 20% - 85% | 20% - 85% | 20% - 85% |
| Storage Humidity | 10% - 95% | 10% - 95% | 10% - 95% |

25usd/pcs 30usd/pcs 35usd/pcs

Electric Motorcycle

Hot

Model: **Sur Ron Light Bee X:**

Dimension: 1860mm×780mm×1050mm

Ground clearance: 270mm

Wheel base: 1255mm

Seat height: 830mm

Dry/Curb weight: 45kg/56kg

Front fork travel: 200mm

Rear shock/wheel travel: 87/210mm

Power system: Mid-drive BLDC motor + FOC sine wave controller

Maximum power: 6000W

Maximum torque: 250N.m

Top speed: 75km/h

Range: 100km (@20km/h)

Battery Type: 60v 38ah Samsung lithium-ion removable battery

Charge time: 4h

Frame design: aluminum forged frame

Front tire: 70/100-19

Rear tire: 70/100-19

Riding mode: SPORTS + ECO mode

Assistance functions: Regen(on SPORTS mode)



Rack Black



Mercury Blue



Shinnin Silver



Phantom Purple

3250usd/pcs



Ultra bee 1

- Licence Plate Holder
- Turn Signal
- Tail Light
- Passenger Handgrip
- Passenger Footpegs
- Rear Mirrors
- Reflector



Hot

Model: **Sur Ron Ultra Bee :**

Dimension: 2060mm×880mm×1178mm

Ground clearance: 270mm

Wheel base: 1255mm

Seat height: 910mm

Curb weight: 89kg

Ultra Bee Loading capacity: 150kg

Front fork travel: 240mm

Rear shock/wheel travel: 85/240mm

Power system: Mid-drive BLDC motor + FOC sine wave controller

Maximum power: 12500W

Maximum torque: 440N.m

Top speed: >90km/h

Range: 140km (@40km/h)

Battery Type: 74v 55ah Samsung lithium-ion removable battery

Charge time: 4.5h

Frame design: aluminum forged frame

Front tire: 80/100-19

Rear tire: 90/90-19

Riding mode: SPORTS + ECO mode

Assistance functions: SRTC-Anti slip regulation traction control system

Adjustable brake energy recovery system

BERS

2.3s | **440N.M** | **12.5 KW**
 0-50km/h To speed up | Driving wheel torque | Peak power

140KM* | **SRTC** | **74V55AH** | **85KG**
 Range | ASR traction control | High performance lithium | Light weight design

4950usd/pcs

Model: **Sur Ron Storm Bee:**

Dimension: 2120mmx805mmx1265mm

Ground clearance: 335mm

Wheel base: 1430mm

Seat height: 940mm

Dry/Curb weight: 95kg/127kg

Carrying capacity: 120kg

Front fork travel: 290mm

Rear shock/wheel travel: 115 / 290mm

Power system: Mid-drive BLDC motor +

FOC sine wave controller

Maximum power: **22.5KW**

Maximum torque: **520N.m**

Top speed: **110km/h**

Range: **100Km (@50km/h)**

Battery Type: **90V/48Ah** lithium-ion

removable battery pack

Charge time: **4h**

Frame design: aluminum forged frame

Front tire: 80 / 100-21 off road tire

Rear tire: 100 / 90-18 off road tire

Riding mode: Eco / Rain / Sport mode +
"Turbo" mode

Assistance functions: ASR + BERS



7150usd/pcs

Talaria Sting MX or Talaria Sting L1e version



Model : **Talaria Sting TL3000**

Chassis Material : 6061 T4 & T6 Aluminum Alloy

Process Method : forged by 600 Tons Pressure

Surface Method: Anodizing

Headlight: LED

Front fork: RST/DNM/Manitou

Rear Shock Fsrace/DNM

Tire Size : Front 70/100-19 / Rear 80/100-19

Max.Range: 100km@32km/h

Vehicle Dimension: 1820mm x 770mm x 1075mm

Saet Height: 870mm

Handlebar Lenght:760mm

Ground Clearance: 280mm

Wheel Base: 1225mm

Controller

Controller Type: FOC

Controller Peak Efficiency: 92%

Weight:2kg

Dimension:248mm*128*50mm

Controller Traveling Wave Current 85A

Speedometer TFT Digital displaying Speed, Battery

Level, Voltage, Cycle/Odometer

Motor:

Peak Motor Torque 31.8 n.m

Motor Peak Efficiency 92%

Weight:7kg

3500-3680usd/pcs

Talaria Sting TL4000

Hot

| ITEMS | DATA |
|--|---|
| L×W×H (mm) | 1880×770×1088 |
| Wheelbase (mm) | 1250 |
| Min. Ground Clearance (mm) | 300 |
| Seat Number | 1 |
| Seat Height (mm) | 840 |
| Net Weight (Kg) | 68(45Ah battery included) |
| Rated Loading Ability (Kg) | 75 |
| Brake (Fr./Rr.) | Disc/Disc |
| Brake Operation Way (Fr./Rr.) | By hand |
| Steering Angle (L./R.) | 45° |
| Rim Size (Fr./Rr.) | 1.4×19/1.6×19 |
| Tyre Size (Fr./Rr.) | 70/100-19. 80/100-19 |
| Tyre Pressure(Fr./Rr.) (kpa) | 225/225 |
| Transmission | Gearbox+Chain |
| Gross Weight (Kg) | 87 |
| Loading Quantity | 150 pcs/40HQ 55 pcs/20GP |
| Motor Type | Air-cooled DC IPM (Interior Permanent Magnet) Motor |
| Rated Quantity | 60V |
| Rated Torque (N.m) | 12.7N.m@3000rpm |
| Peak Torque (N.m) | 45N.m |
| Rated Power (kw) | 4Kw |
| Cell Type | LG brand 21700 Lithium-ion battery cell |
| Battery Capacity (A.h) | 45Ah |
| Peak Power (Kw) | 7.2Kw |
| Charger | 12Ah-110V/220V |
| Acceleration Form 0 To 40 km/h(s) | 2 |
| Top Speed (Km/h) | ≥85 |
| Climb Ability | 45° |
| Min. Turning Radius (m) | 1.7 |
| Mean Fully Developed Deceleration (m/s²) | 3.52/3.02 |
| Range | ≥50(km) @ Top speed |
| | ≥82(km) @ 45km/h |
| | ≥120(km) @ 25km/h |



3850-3980usd/pcs

Talaria Sting XXX

| ITEMS | DATA |
|----------------------------|---|
| L×W×H (mm) | 1907×805×1102 |
| Wheelbase (mm) | 1255 |
| Min. Ground Clearance (mm) | 270 |
| Seat Height (mm) | 805 |
| Net Weight (Kg) | 50(Including 25Ah stock battery) |
| Rated Loading Ability (Kg) | 75 |
| Brake (Fr./Rr.) | Fr.Disc/Rr.Disc |
| Rim Size (Fr./Rr.) | 1.4×17/1.6×17 |
| Tyre Size (Fr./Rr.) | 70/90-17 ; 90/80-17 |
| Front Fork | Hi-Performance Hydraulic Dual Crown Fork with 160mm Travel |
| Rear Shock Absorber | Specialized reducing diameter spring shock absorber with 85mm travel |
| Transmission | Belt+Chain |
| Motor Type | Air-cooled DC IPM (Interior Permanent Magnet) Motor |
| Rated Voltage (V) | 60V |
| Rated Torque (N.m) | 12 |
| Peak Torque (N.m) | 33 |
| Rated Power (kw) | 2.5Kw |
| Peak Power (Kw) | 4.2Kw |
| Battery Capacity (A.h) | 25Ah (Stock); 40Ah(Optional) |
| Cell Type | 21700 Lithium-ion battery cell |
| Charger | 8Ah-110/220V (12Ah optional) |
| Top Speed (Km/h) | 75 |
| Min. Turning Radius (m) | 1.7 |
| Steering Angle (L./R.) | 40° |
| Range | 60-70KM @ 45KM/H (with 25AH stock battery) |



2780-2950usd/pcs

Model: **Molinks**

Top speed: 75KM/H

Climbing ability: 45 degrees

Battery type: ternary lithium battery

Battery capacity: 32AH

Battery brand: LG

Peak power: 6600W

Vehicle size: 1885*780*1050

Vehicle weight: 65KG

Front and rear wheel size: 19*1.4

Maximum battery life: 120KM

Ground clearance: 270mm

Charging current: 10A

Battery voltage: 60V

Battery weight: 12.9KG

Motor torque: 30N.M

Seat height: 810MM

Maximum load: 180KG

Instrument display: LCD liquid crystal

Fork travel: 210MM

Wheel torque: 250N.M

0-40KM/H: 2.8s

0-80KM/H: 4.2s

Front shock: shoulder shock

Rear shock: Four-link shock

Controller: Maximum support modification to 7000W

Frame material: high Ultra Bee ebikebon steel

Packing size: Outer size: 2000×360×1100MM,
board height 1200mm

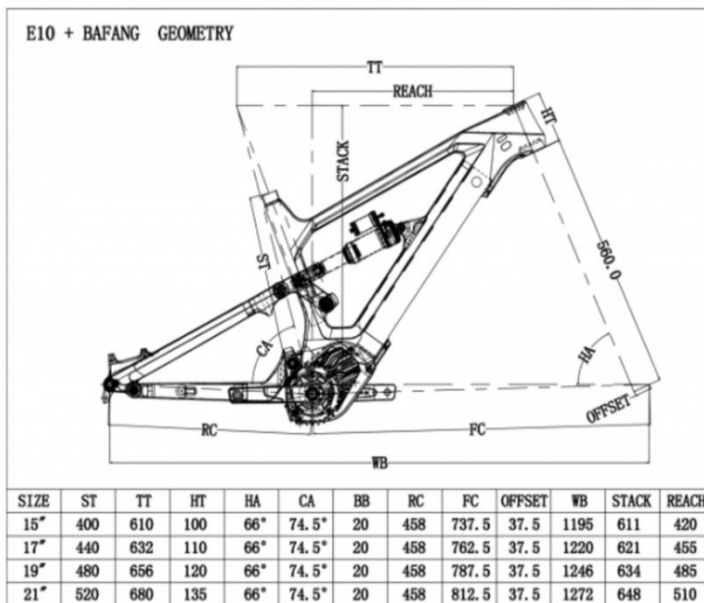


Hot

3150usd/pcs



Carbon Fiber Frame



Dengfu E10 is

suitable for bafangM510

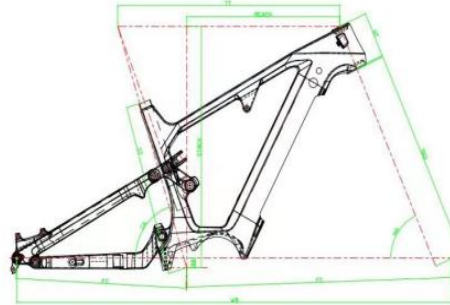
250w/M600/M560 500w/M410

250w mid motor

779 usd/pcs



E23-E23



E22

| SIZE | ST | TT | HT | HA | CA | BB | RC | FC | WB | STACK | REACH |
|------|-----|-------|-----|-----|-------|----|-----|-------|--------|-------|-------|
| 16" | 410 | 622.8 | 110 | 66° | 72.5° | 25 | 484 | 772.5 | 1231.5 | 623 | 420 |
| 18" | 451 | 646.3 | 120 | 66° | 72.5° | 25 | 484 | 772.5 | 1255.5 | 632 | 446 |
| 20" | 510 | 674 | 130 | 66° | 72.5° | 25 | 484 | 772.5 | 1283.6 | 641 | 470 |

E23

| SIZE | ST | TT | HT | HA | CA | BB | RC | FC | WB | STACK | REACH |
|------|-----|-------|-----|-----|-------|----|-----|-------|--------|-------|-------|
| 16" | 410 | 622.8 | 110 | 66° | 72.5° | 25 | 495 | 772.5 | 1242.3 | 623 | 420 |
| 18" | 451 | 646.3 | 120 | 66° | 72.5° | 25 | 495 | 772.5 | 1266.3 | 632 | 446 |
| 20" | 510 | 674 | 130 | 66° | 72.5° | 25 | 495 | 772.5 | 1294.4 | 641 | 470 |

Dengfu E22 is

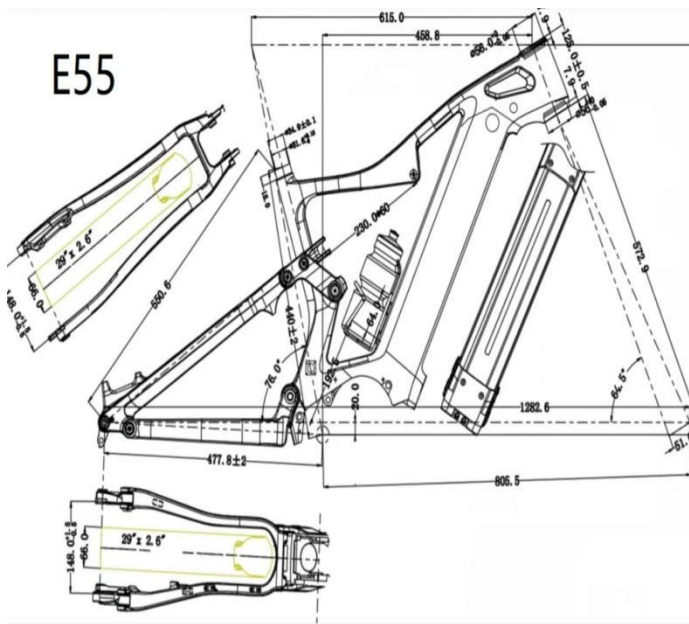
MTB bike ,E23 is Fat tire bike(snow bike)

They are both for bafang

M620/G510 1000w mid

motor kits

779usd/pcs



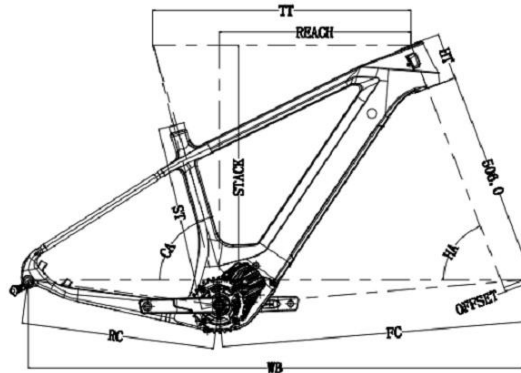
Dengfu E55 is

**MTB bike ,E56 is Fat tire
bike(snow bike)**

They are both for bafang

M620/G510 1000w mid

motor kits **799usd/pcs**



| SIZE | ST | TT | HT | HA | CA | BB | RC | FC | OFFSET | WB | STACK | REACH |
|------|-----|-----|-----|-----|-------|----|-----|-----|--------|------|-------|-------|
| 15" | 400 | 587 | 100 | 69° | 73.6° | 60 | 458 | 701 | 51 | 1153 | 613 | 430.5 |
| 17" | 440 | 612 | 110 | 69° | 73.6° | 60 | 458 | 726 | 51 | 1178 | 618 | 454.5 |
| 19" | 480 | 637 | 120 | 69° | 73.6° | 60 | 458 | 751 | 51 | 1206 | 623 | 477.5 |
| 21" | 520 | 662 | 135 | 69° | 73.6° | 60 | 458 | 776 | 51 | 1230 | 633 | 499.5 |

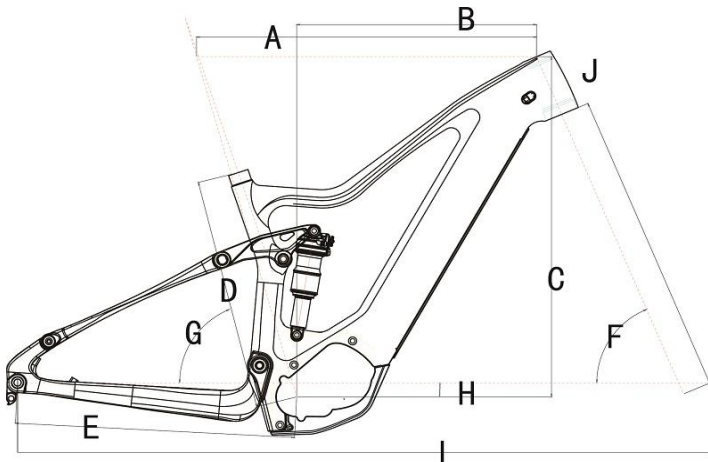
Dengfu E14 is

suitable for bafangM510

250w/M600/M560

500w/M410 250w mid motor

479usd/pcs



| | A | B | C | D | E | F | G | H | I | J | K |
|-----|-----|-----|-----|-----|-----|----|------|-----|------|-----|----|
| 16" | 578 | 410 | 587 | 406 | 478 | 67 | 74.0 | -15 | 1186 | 110 | 51 |
| 18" | 610 | 445 | 620 | 457 | 478 | 67 | 74.0 | -15 | 1215 | 120 | 51 |
| 20" | 630 | 460 | 630 | 508 | 478 | 67 | 74.0 | -15 | 1228 | 130 | 51 |



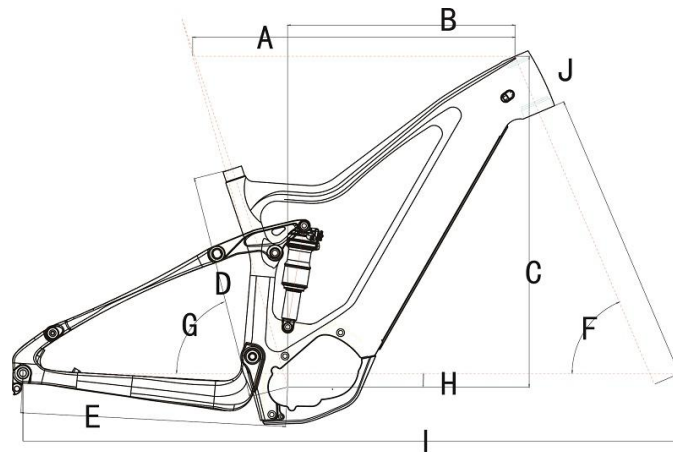
Dengfu E05 is

suitable for bafang M510

250w/M600/M560 500w/

M410 250w mid motor

699usd/pcs



| | A | B | C | D | E | F | G | H | I | J | K |
|-----|-----|-----|-----|-----|-----|----|------|-----|------|-----|----|
| 16" | 578 | 410 | 587 | 406 | 478 | 67 | 74.0 | -15 | 1186 | 110 | 51 |
| 18" | 610 | 445 | 620 | 457 | 478 | 67 | 74.0 | -15 | 1215 | 120 | 51 |
| 20" | 630 | 460 | 630 | 508 | 478 | 67 | 74.0 | -15 | 1228 | 130 | 51 |

Dengfu E06

is Fat tire bike(snow bike)it is suitable for

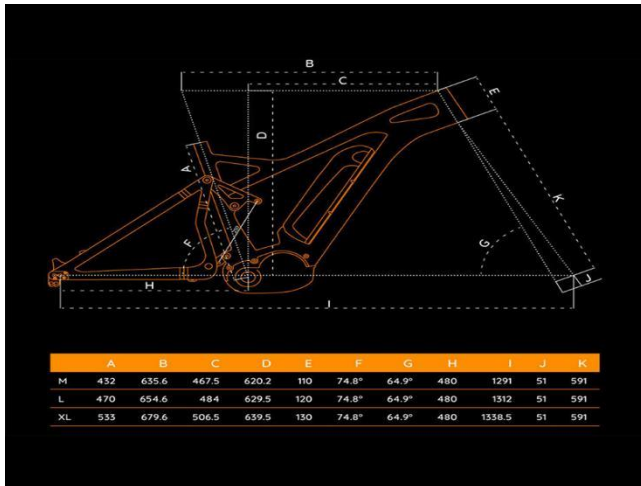
bafang M620/G510

1000w mid motor kits

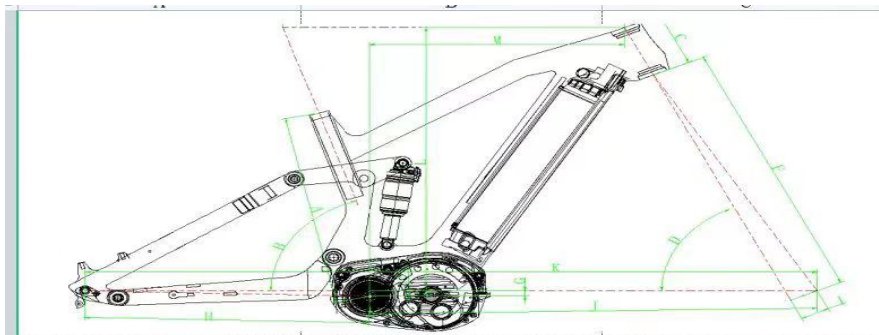
699usd/pcs



**This is Exess MTB
bike ,it is suitable for
bafang M620/G510
1000w mid motor kits**



720usd/pcs



| | | |
|-------------------|-------|-------|
| Frame size number | 17.5" | 19.5" |
| A-Seat tube | 430 | 480 |
| B-Seat tube | 72° | 72° |
| C-Head tube | 120 | 130 |
| D-Head angle | 65° | 65° |
| E-Effective top | 600 | 620 |
| F-Fork Length | 570 | 570 |
| G-Bottom bracket | 12.5 | 12.5 |
| H-Chainstay | 500 | 500 |
| I-Offset | 51 | 51 |
| J-Front Center | 785.3 | 800 |
| K-Wheelbase | 1285 | 1300 |
| L-Frame stack | 617 | 629.4 |
| M-Reach | 447 | 463 |

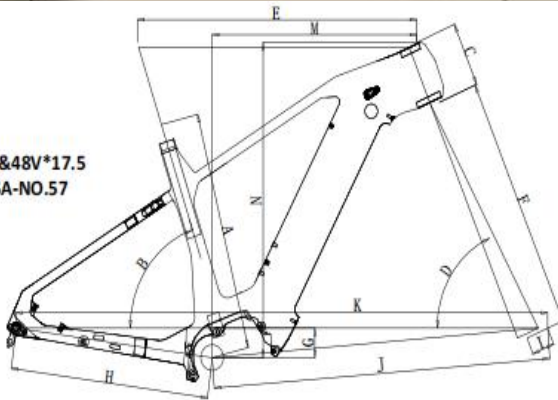


This is MTB bike ,it is suitable for bafang M620/G510 1000w mid motor kits

689usd/pcs



Type: 29"*2.35" AM Ebike Frame
 Brake: Post Mount Disc brake
 Size: 15.5"/17.5"/19"
 Motor: bafangM500/M600
 Battery: REENTION RHINO7 36V*24.5&48V*17.5
 Headtube: Upper 44mm lower 56mm FSA-NO.57
 Seatpost: ϕ 31.6mm
 Max Tire: 29"*2.35"
 O.L.D: 148mm ϕ 12mm
 Weight: 2650g \pm 50g
 Max Chainring: 40T
 Test Standard: ISO4210
 Finish: UD/Color



| Length: mm/Angle:° | | | | | | | | | | | | | |
|--------------------|-----|-------|-----|-----|-----|-----|----|-----|----|-------|--------|-------|-------|
| SIZE | A | B | C | D | E | F | G | H | I | J | K | N | M |
| 17.5 | 444 | 71.5° | 120 | 67° | 615 | 511 | 59 | 450 | 51 | 743.8 | 1187 | 620 | 448 |
| 19 | 480 | 71.5° | 130 | 67° | 635 | 511 | 59 | 450 | 51 | 765.1 | 1208.9 | 630 | 465 |
| 21 | 530 | 71.5° | 140 | 67° | 655 | 511 | 59 | 450 | 51 | 785.8 | 1229.7 | 638.3 | 482.2 |

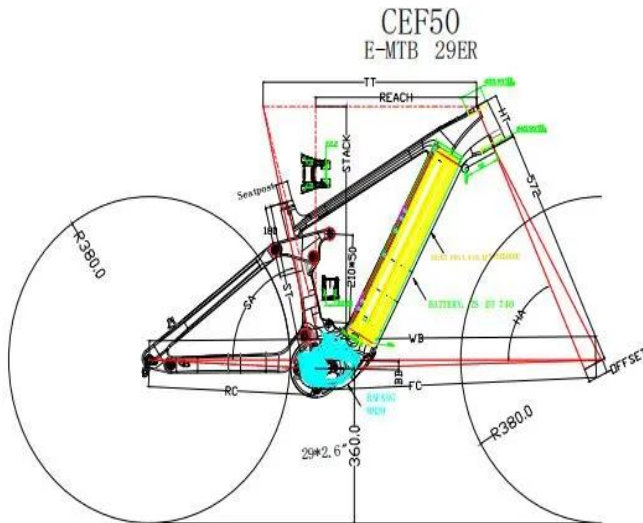


***This is QYH Hardtail MTB
 bike ,it is suitable for
 bafangM510
 250w/M600/M560 500w/***

449usd/pcs



This is CEF50 carbon fiber frame bike ,it is suitable for bafangM820 250w mid motor



Type: E-MTB 29ER
 Size:S/M/L/XL
 Material:Full Carbon
 Weight of Frame2400g±40g Size(17")
 Headset-top: 52mm
 Headset-down: 66mm
 Brake model: Discbrake(180MM)
 Tail hook: Thru-axle ModelModel
 Maximum Tyre Model:29ER/2.6"OR27.5ER*2.8"
 Rear Axle Shaft:148MM*12
 Shock Absorber Length: 210MM (Eye to Eye Length)
 Shock Absorber Travel: 50MM
 Front Spacing Travel: 170MM
 Rear Spacing Travel: 150MM
 Weave: UD
 MOTOR: BAFANG M820



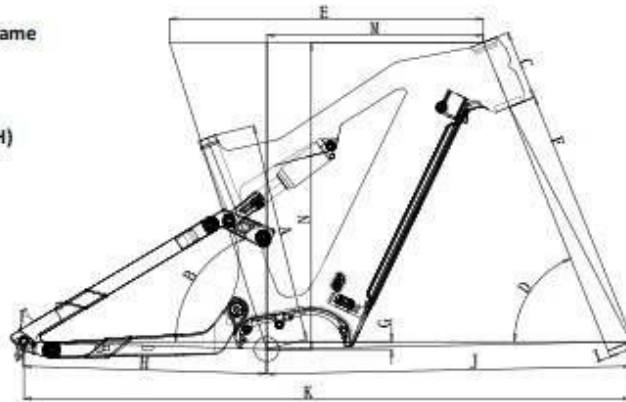
| FRAME SIZE | ST | TT | RC | HA | SA | BB | HT | Offset | Reach | Stack | FC | Seatpost | SN:BT F014.410.CF9W5050005 | BATTERY: ZS BT 740 |
|------------|-----|-----|-----|-------|-------|----|-----|--------|-------|-------|-----|----------|----------------------------|--------------------|
| S | 380 | 577 | 450 | 64.5° | 76.9° | 20 | 105 | 51 | 435 | 610 | 773 | 31.6 | Model:BT | Model:BT |
| M | 410 | 605 | 450 | 64.5° | 76.8° | 20 | 115 | 51 | 460 | 619 | 803 | 31.6 | Voltage:36V | Voltage:36V |
| L | 440 | 630 | 450 | 64.5° | 76.8° | 20 | 125 | 51 | 483 | 628 | 830 | 31.6 | Capacity: | Capacity:20AH |
| XL | 470 | 655 | 450 | 64.5° | 76.8° | 20 | 135 | 51 | 505 | 637 | 856 | 31.6 | Energy:410WH | Energy:740WH |

720usd/pcs



Model: E23

- Type: Full suspension AM E-bike frame
- Brake: Post Mount Disc Brake
- Size: 17.5"
- Motor: Bafang M510/M600/M620
- Battery: SYR-012 Kingkong(48V*20AH)
- Headtube: upper52mm&lower56mm
- Seatpost: 31.6mm(37mm seat clamp)
- Max tire: 26"*4.8"/29"*2.6"
- Weight:
- Rear shock size: 190*51mm
- Rear travel: 150mm
- Max chainring:
- Test standard: ISO4210
- Finish: UD/Color



| Length: mm/Angle:° | | | | | | | | | | | | | |
|--------------------|-----|-------|-----|-----|-----|-----|----|-----|----|-------|------|-----|-----|
| SIZE | A | B | C | D | E | F | G | H | I | J | K | N | M |
| 17.5 | 450 | 68.5° | 143 | 68° | 646 | 540 | 16 | 500 | 51 | 749.7 | 1249 | 631 | 446 |

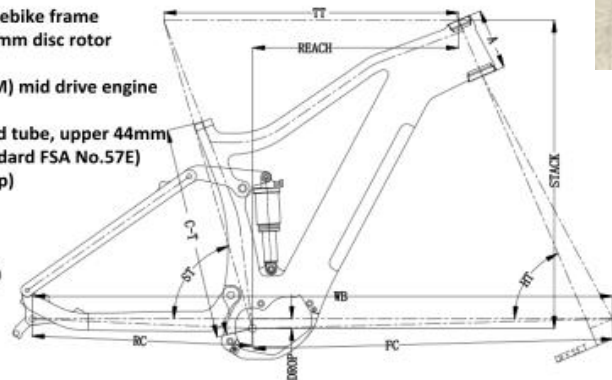
This is QYH carbon fiber frame bike ,it is suitable for bafangM510 250w/M560/m600 500w and M620 1000w mid

689usd/pcs

Suspension E-Bike Frame



- Type: 29" full suspension enduro ebike frame
- Brake: Post Mount Disc brake 203mm disc rotor
- Size: 15.5" / 17.5" / 19" / 20.5"
- Motor: M500(95NM)/M600(120NM) mid drive engine
- Battery: Battery BTF03 / BTF04
- Headtube: Tapered 1 1/8" - 1 1/2" head tube, upper 44mm lower 55mm (Headset standard FSA No.57E)
- Seatpost: $\phi 31.6\text{mm}$ (35mm seat clamp)
- Max Tire: 650B*2.8" and 29er 2.35"
- Weight: 3150 \pm 45g/17.5"
- Rear shock size: 185*55mm (22* $\phi 10\text{mm}$,54*M10*P1.0)
- Rear travel: 150mm
- Max Chainring: 34T
- Test Standard: ISO4210
- Finish: UD / Color



Length: mm/Angle:°

| SIZE | A | ST | B | HT | TT | F | BB | RC | FC | OFFSET | WB | H/T INSERT | TRAIL | REACH | STACK |
|-------|-----|-----|-----|-------|-----|-----|----|-----|-------|--------|--------|------------|---------|-------|-------|
| 17.5" | 445 | 75° | 125 | 65.5° | 610 | 561 | 20 | 460 | 774.2 | 51 | 1233.7 | FSA NO.57 | R 160mm | 443 | 623 |
| 19" | 480 | 75° | 135 | 65.5° | 635 | 561 | 20 | 460 | 799.9 | 51 | 1258.7 | | | 468 | 633 |
| 20.5" | 520 | 75° | 145 | 65.5° | 660 | 561 | 20 | 460 | 829.9 | 51 | 1288.7 | | | 498 | 643 |

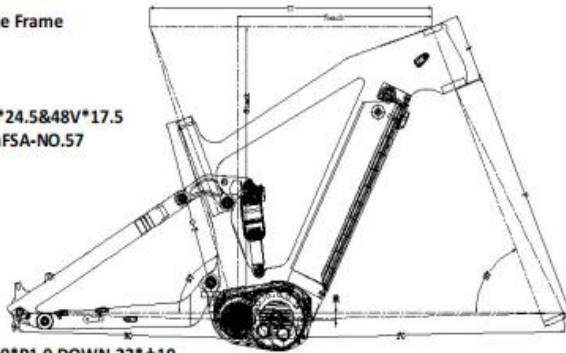
This is QYH carbon fiber frame bike ,it is suitable for bafang M510

250w/M560/m600 500w mid

689usd/pcs



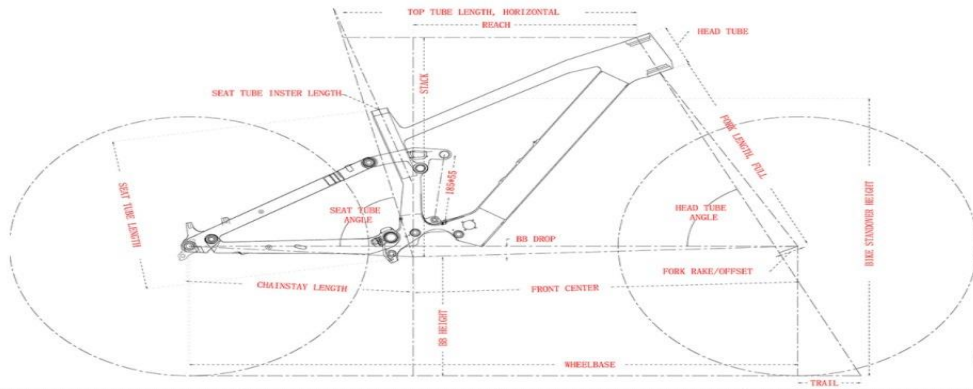
Type: FULL Suspension AM E-bike Frame
Brake: Post Mount Disc brake
Size: 15.5"/17.5"/19"
Motor: M500/M600
Battery: SYR-MUSTANG Pro-B 36V*24.5&48V*17.5
Headtube: Upper 44mm lower 56mm FSA-NO.57
Seat post: ϕ 31.6mm
Max Tire: 29" *2.6"/27.5" *3.0"
O.L.D.: 148mm ϕ 12mm
Weight: 3200g \pm 50g
Rear travel: 150mm
Max Chainring: 40T
Test Standard: ISO4210
Finish: UD/Color
Rear shock size: 190mm*51mm (UP54*m10*P1.0,DOWN 22* ϕ 10)



| Length: mm/Angle:° | | | | | | | | | | | | | |
|--------------------|-----|-----|----|-------|----|------|------|-----|--------|-------|-----|-------|-------|
| SIZE | C-T | A | O | TT | HT | ST | BB | RC | WB | FC | F | REACH | STACK |
| 15.5 | 400 | 133 | 51 | 620.1 | 68 | 72.4 | 15.8 | 500 | 1222.5 | 722.9 | 540 | 423 | 621.6 |
| 17.5 | 451 | 143 | 51 | 646.3 | 68 | 72.4 | 15.8 | 500 | 1250 | 749.8 | 540 | 446 | 630.9 |
| 19 | 482 | 153 | 51 | 672 | 68 | 72.4 | 15.8 | 500 | 1276 | 776 | 540 | 469 | 640.1 |

*This is QYH carbon fiber frame
 bike ,it is suitable for
 bafangM510 250w/M560/m600
 500w mid motor*

689usd/pcs



***This is LCE930 Light
carbon fiber frame bike ,it
is suitable for bafang M820
250w mid motor***

| SIZE | S | M | L |
|--------------------------------|----------|----------|----------|
| SEATPOST INSERT LENGTH | 170mm | 200mm | 200mm |
| REACH | 430mm | 455mm | 480mm |
| TOP TUBE LENGTH, HORIZONTAL | 572mm | 598mm | 625mm |
| STACK | 614.8mm | 619.4mm | 628.4mm |
| WHEELBASE | 1205.5mm | 1232.6mm | 1261.9mm |
| CHAINSTAY LENGTH | 457mm | 457mm | 457mm |
| FRONT CENTER | 756.1mm | 783.2mm | 812.5mm |
| BB DROP | 30mm | 30mm | 30mm |
| BB HEIGHT | 335mm | 335mm | 335mm |
| SEAT TUBE ANGLE | 77° | 77° | 77° |
| HEAD TUBE ANGLE | 64.5° | 64.5° | 64.5° |
| SEAT TUBE LENGTH | 390mm | 420mm | 450mm |
| HEAD TUBE LENGTH | 105mm | 110mm | 120mm |
| BIKE STANDOVER HEIGHT(29"2.6") | 782mm | 801mm | 825mm |
| FORK RAKE/OFFSET | 42mm | 42mm | 42mm |
| FORK LENGTH, FULL | 563mm | 563mm | 563mm |
| TRAIL | 128mm | 128mm | 128mm |

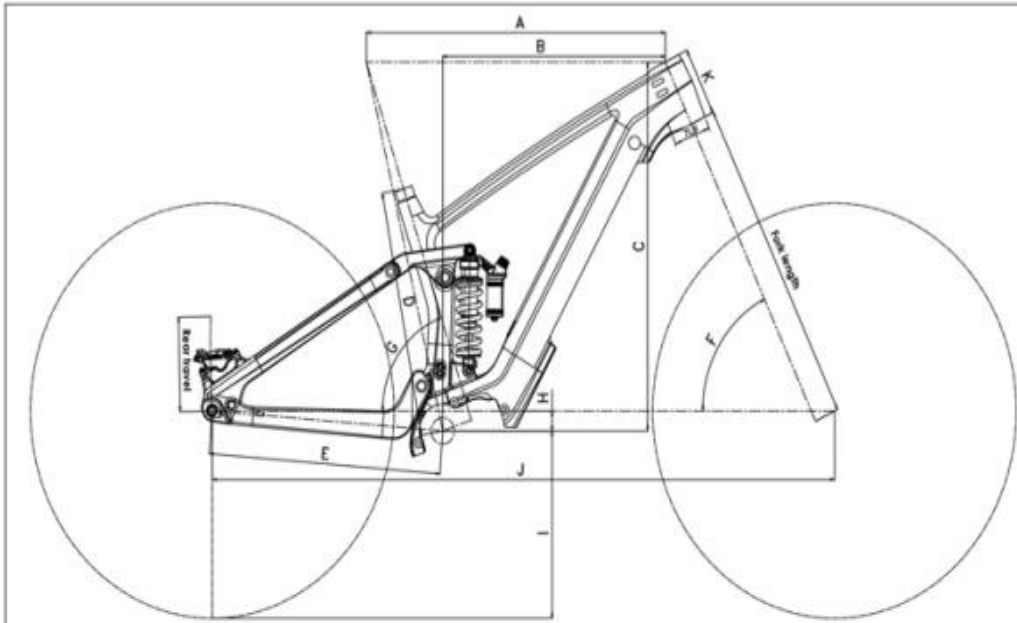
725usd/pcs



| SIZE | M | L |
|--------------------------------|---|-----------|
| BODY HEIGHT (Reference) | 165-177cm | 178-189cm |
| Remarks for BODY HEIGHT | For reference only, may vary due to different body proportions. | |
| SEATPOST INSERT LENGTH | 180mm | 200mm |
| REACH | 455mm | 480mm |
| TOP TUBE LENGTH, HORIZONTAL | 598mm | 625mm |
| STACK | 619.4mm | 628.4mm |
| WHEELBASE | 1241.7mm | 1269.9mm |
| CHAINSTAY LENGTH | 460mm | 460mm |
| FRONT CENTER | 783.2mm | 812.5mm |
| BB DROP | 30mm | 30mm |
| BB HEIGHT | 335mm | 335mm |
| SEAT TUBE ANGLE | 77° | 77° |
| HEAD TUBE ANGLE | 64.5° | 64.5° |
| SEAT TUBE LENGTH | 445mm | 480mm |
| HEAD TUBE LENGTH | 110mm | 120mm |
| BIKE STANDOVER HEIGH(29"*2.6") | 781mm | 795mm |
| FORK RAKE/OFFSET | 44mm | 44mm |
| FORK LENGTH, FULL | 562mm | 562mm |
| TRAIL | 128mm | 128mm |

***This is LCE971 Lightcarbon
frame ,it is suitable for
bafangM510 250w/M560/m600
500w mid motor***

735 usd/pcs



***This is MTB bike ,it is suitable for bafang
bafangM510
250w/M560/m600
500w mid motor***



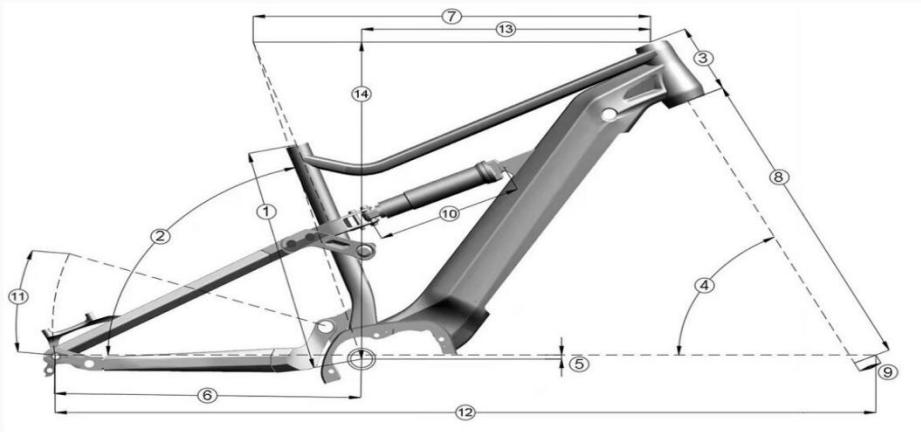
720 usd/pcs

| MODEL:D01-2 BAFON M600 27.5PLUS & 29ER | | GEOMETRY | | |
|--|-----------------|--|--------|--------|
| ALL-MOUNTAIN FULL SUSPENSION | | | | |
| #size | S | M | L | |
| A | TOP TUBE (EFF) | 558mm | 595mm | 627mm |
| B | REACH | 420mm | 443mm | 475mm |
| C | STACK | 625mm | 643mm | 652mm |
| D | SEAT TUBE (C-T) | 385mm | 430mm | 480mm |
| E | CHAIN STAY | 460mm | 460mm | 460mm |
| F | HEAD ANGLE | 64.0° | 64.0° | 64.0° |
| G | SEAT ANGLE | 76.5° | 76.5° | 76.5° |
| H | BB DROP | 35mm | 35mm | 35mm |
| I | BB HEIGHT | 327mm | 327mm | 342mm |
| J | WHEEL BASE | 1208mm | 1238mm | 1275mm |
| K | HEAD TUBE | 100mm | 120mm | 130mm |
| | FORK LENGTH | 574mm | 574mm | 574mm |
| | REAR SHOCK | Shock eye-eye: 210-22-22x8.0 TRAVEL 61 | | |
| | REAR TRAVEL | 160.0 | | |

SIZE & GEOMETRY

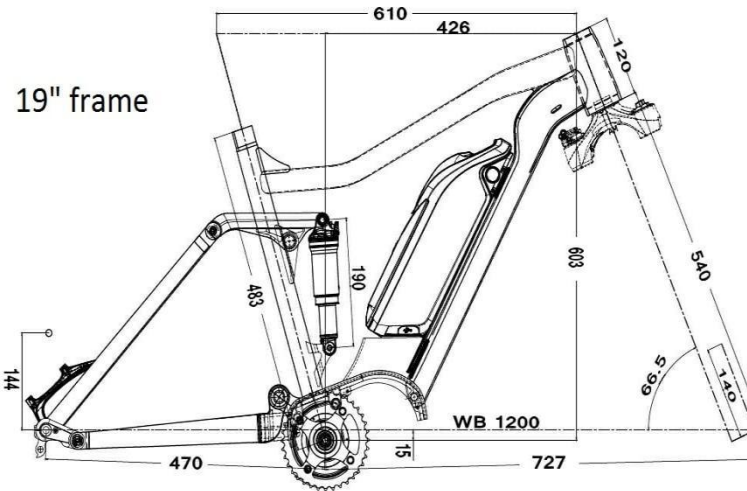


**It is MARKHOR alloy
MTB. It is Suitable for
bafang M510 250w
/M600 500w /M620**



| | M | L |
|----------------------------------|---------------|---------------|
| ① Seat Tube | 440mm | 470mm |
| ② Seat Tube Angle | 71.5° | 71.5° |
| ③ Head Tube | 130mm | 130mm |
| ④ Head Tube Angl | 64° | 64° |
| ⑤ Bottom Bracket Offset | -8 | -8 |
| ⑥ Chain Stay | 470mm | 470mm |
| ⑦ Top Tube (horizontal) | 610mm | 638mm |
| ⑧ Length Specified Fork +Headset | 585mm | 585mm |
| ⑨ Offset Specified Fork | 44mm | 44mm |
| ⑩ Length Specified Shock | 250/230mm | 250/230mm |
| ★ Travel Specified Shock | 75/65mm | 75/65mm |
| ⑪ Rear Wheel Travel | 187.4/167.3mm | 187.4/167.3mm |
| ★ Max. Allowed Front Fork Travel | 180mm | 180mm |
| ⑫ Wheelbase | 1263mm | 1291mm |
| ⑬ Reach | 440.8mm | 468mm |
| ⑭ Stack | 631mm | 631mm |

659usd/pcs



19" frame

It is SEROXAT alloy MTB. It is suitable for bafang M620 1000w mid motor, it has 17" 19" and 21" .

450usd/pcs



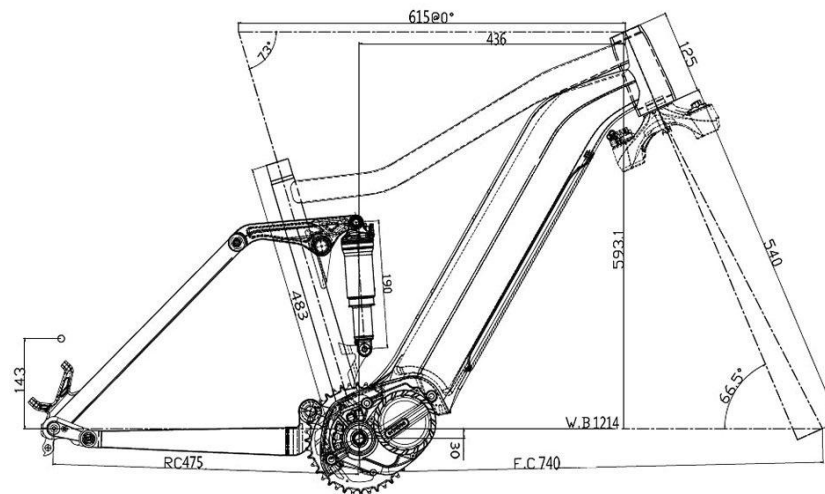
It is SEROXAT alloy MTB. It is suitable for bafang M510 250w /M600 500w mid motor .It has 17'' and 19'' size.

Frame + Motor



19inch

Unit:mm



550usd/pcs



This is SEROXAT alloy MTB. It is suitable for bafang M620/m630 1000w mid motor. It has 17" and 19" size.

550usd/pcs

Electric Wheelchair Handcycle





WH12B *445usd/pcs*



WH12BS *465usd/pcs*



WH12A *445usd/pcs*



WH12AS *465usd/pcs*



WH16A *465usd/pcs*



WH16B *485usd/pcs*